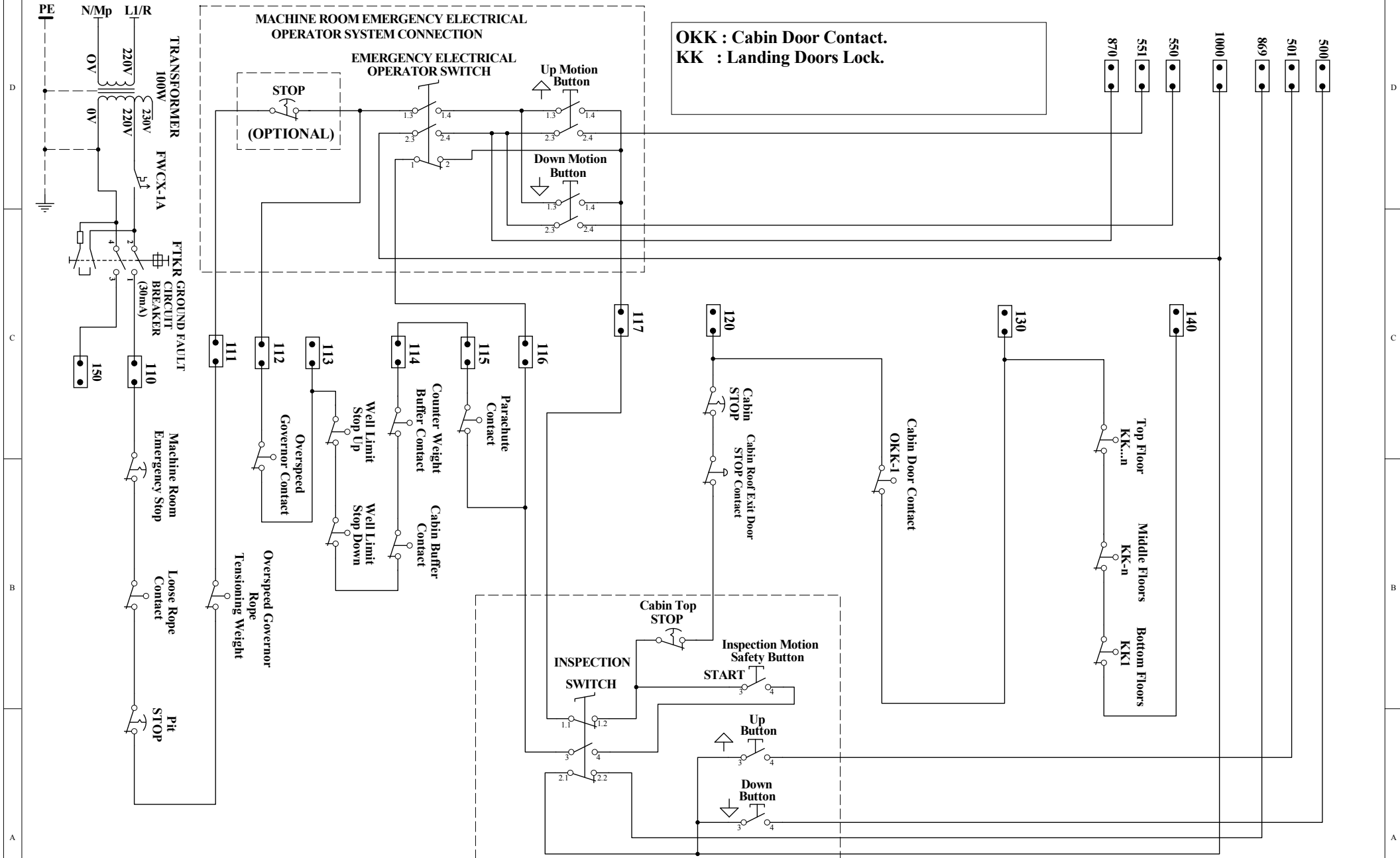
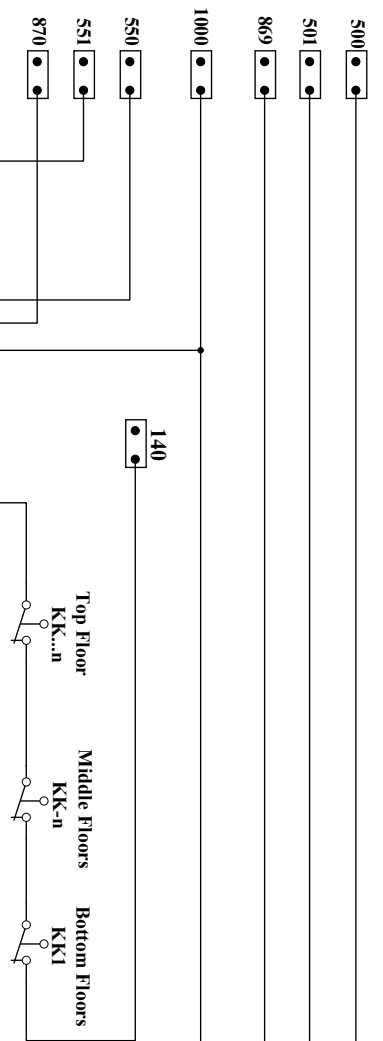
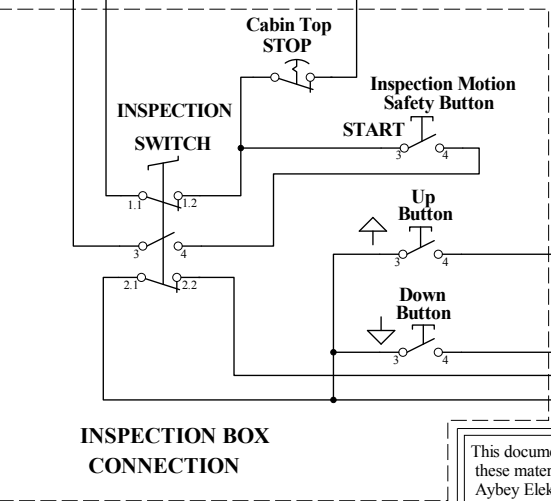


AC SERIES SAFETY LINE FOR INSPECTION BOX AND EMERGENCY ELECTRICAL OPERATOR



OKK : Cabin Door Contact.
KK : Landing Doors Lock.



F/7.5.5.02.67

This document is a sample for applications. All information contained in these materials are subject to change by Aybey Elektronik without notice. Aybey Elektronik assumes no responsibility for any damage, liability, or other loss rising from these inaccuracies or errors.

ACT SERIES SAFETY LINE CONNECTIONS				
DOOR TYPE : AUTOMATIC DOOR				
AYBEY ELEKTRONIK	SERIES	AC	DRW.	M. AKKUŞ
	PROJ.	AC196	APPR.	M. AYBEY
	REV.	04	DATE	21 JUN 16