

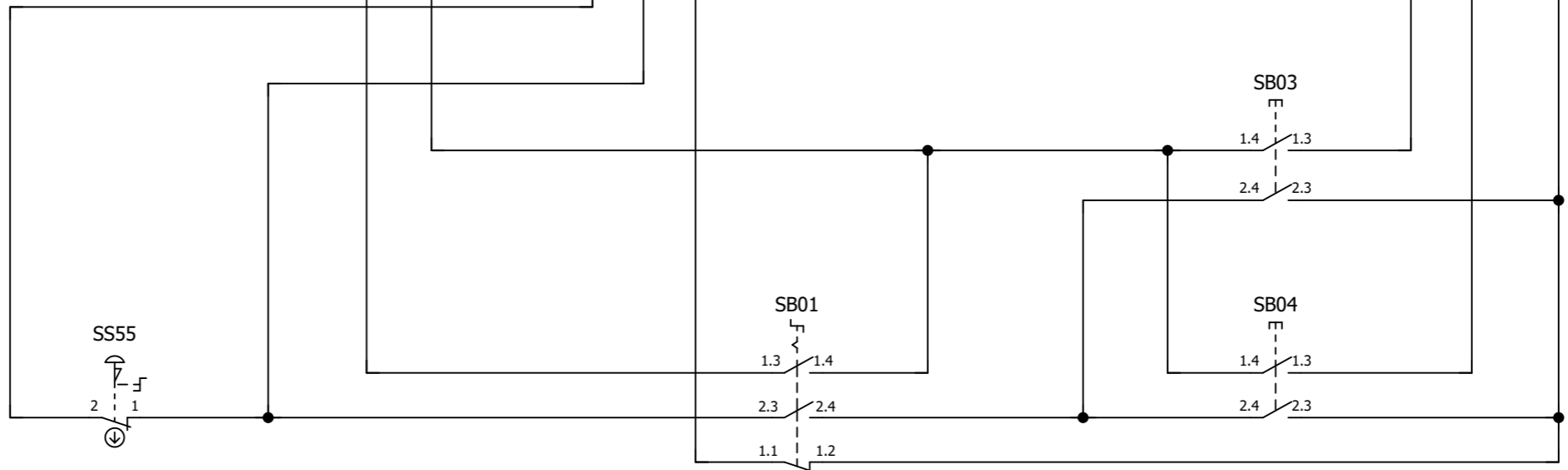
RBM

H01=DEFINE INPUTS
 I11: 2/870 (EEK Input)
 I12: 8/550 (EEK Down Button)
 I13: 9/551 (EEK Up Button)

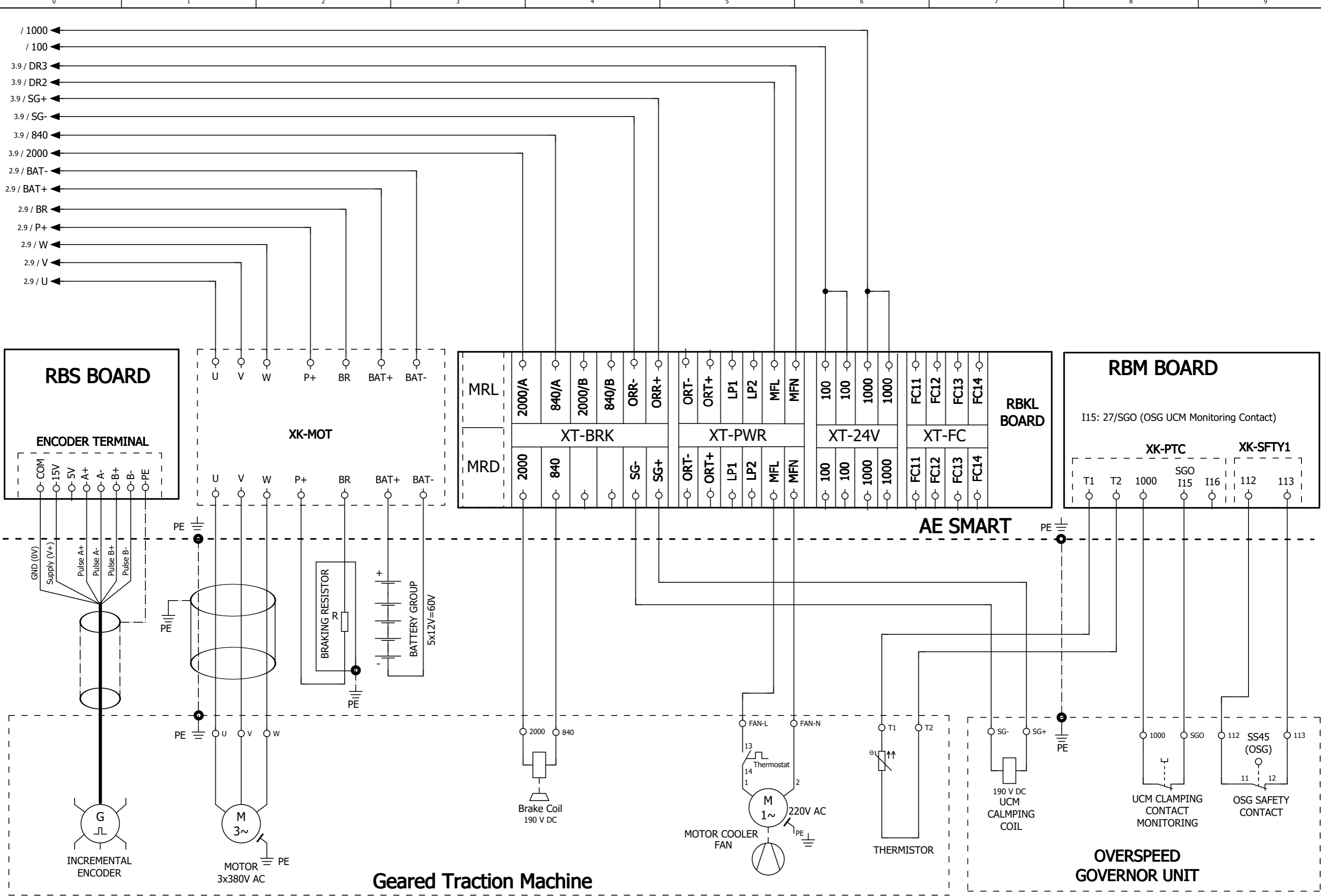
XK-EEK

I11 I12 I13
 1000 870 550 551 111 112 116A 117

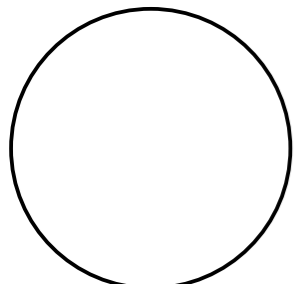
EEK
 Emergency Electrical
 Operation Unit
 (RECALL)



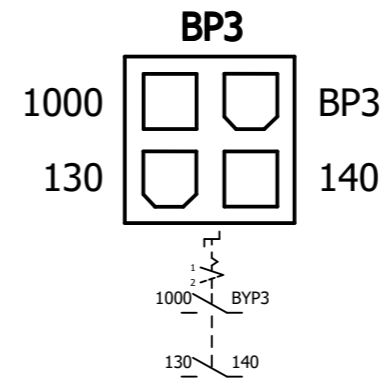
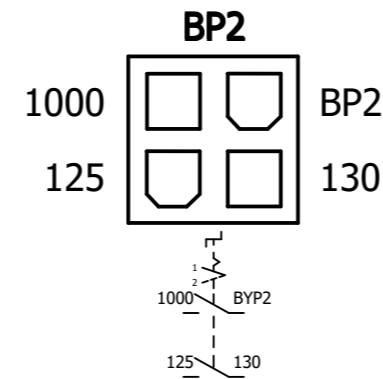
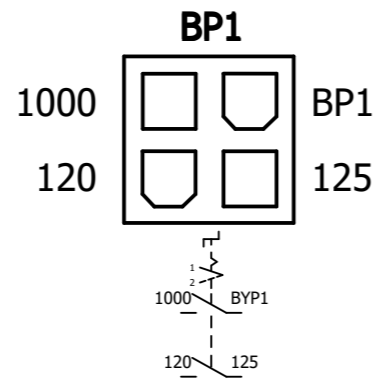
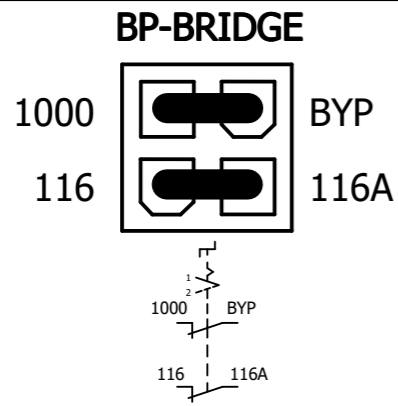
SS55 : EEK STOP BUTTON
 SB01 : EEK SWITCH
 SB03 : EEK UP MOTION BUTTON
 SB04 : EEK DOWN MOTION BUTTON



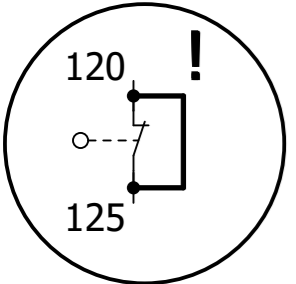
Geared Traction Machine



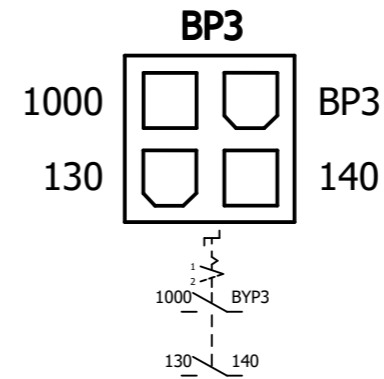
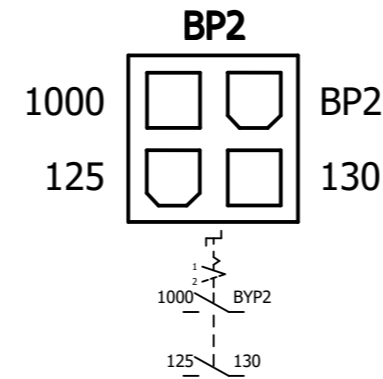
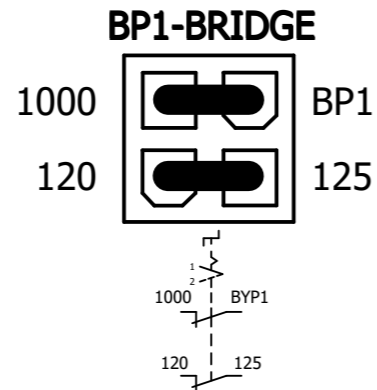
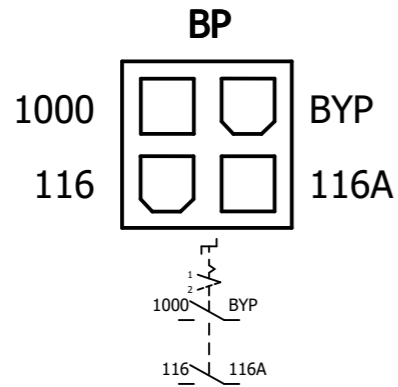
DS-0
NORMAL



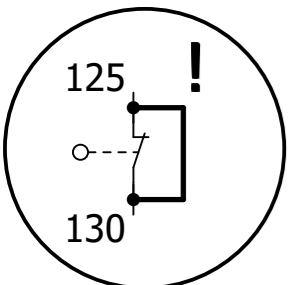
Bypass Normal Position
No Circuit is Bypassed For
Normal Operation



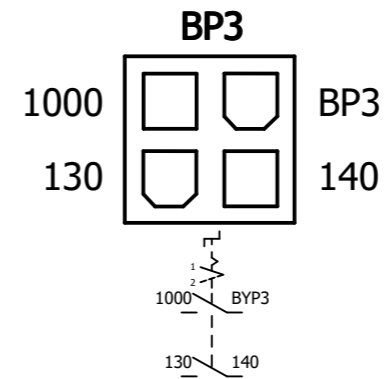
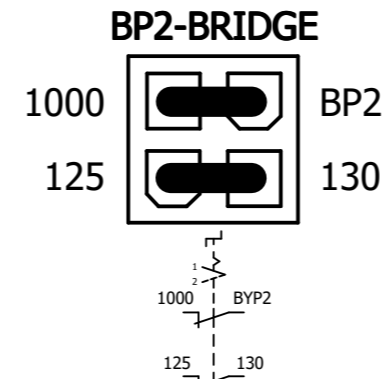
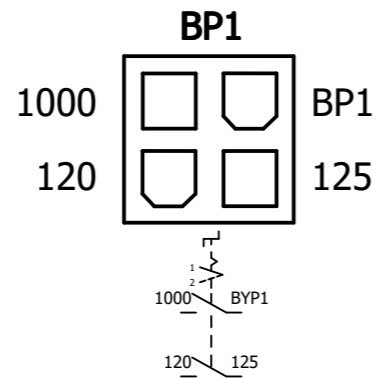
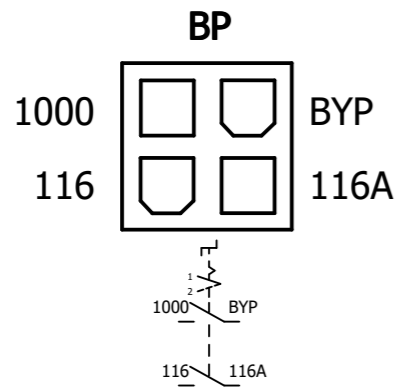
DS-1



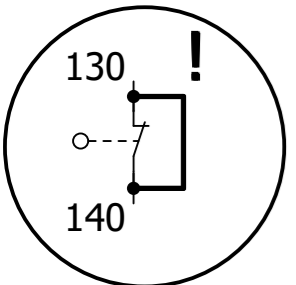
Bypass Contact of Semi Automatic
Landig Door Contacts



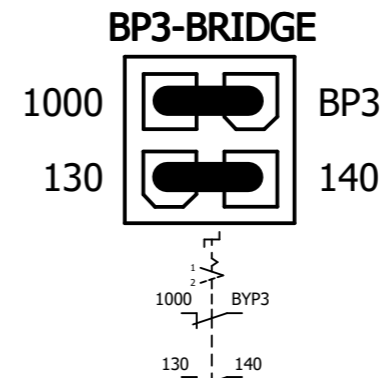
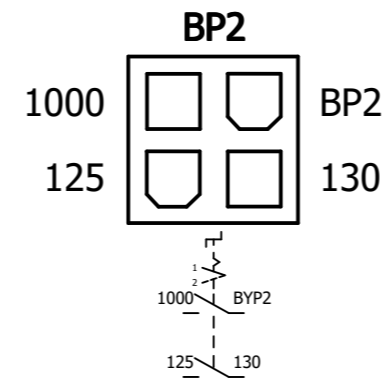
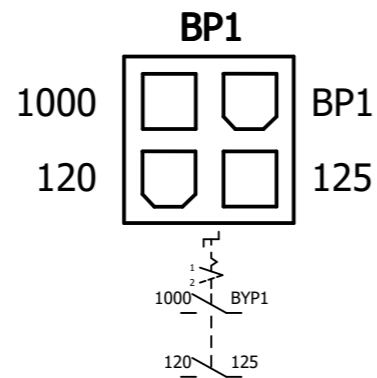
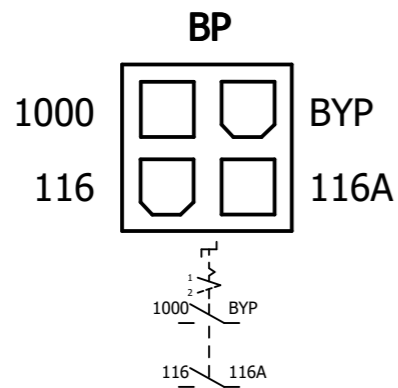
DS-2



Bypass Contact of Semi Automatic
Landig Door Locking Contacts or
Automatic Landing Door Lock Contacts



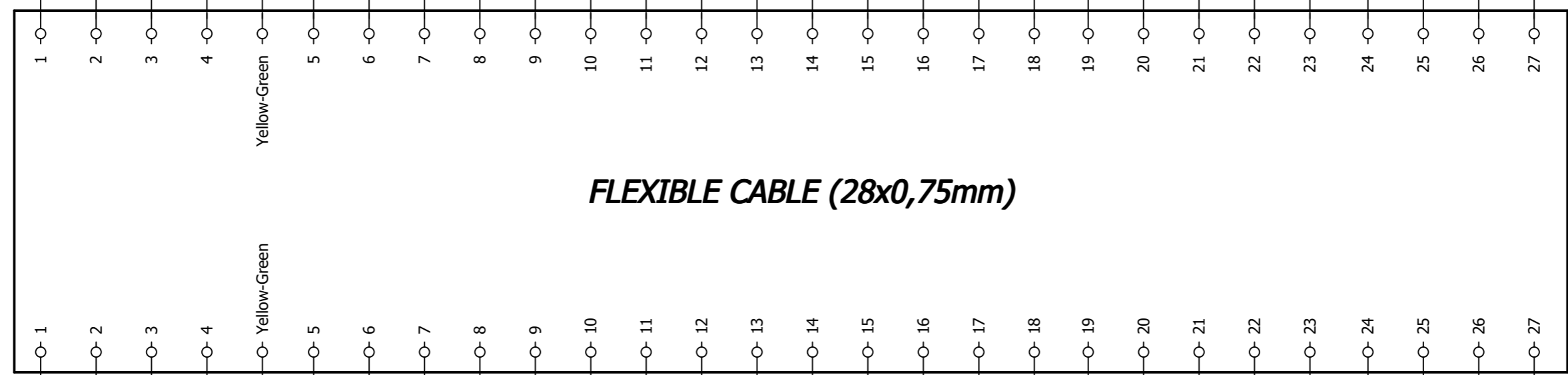
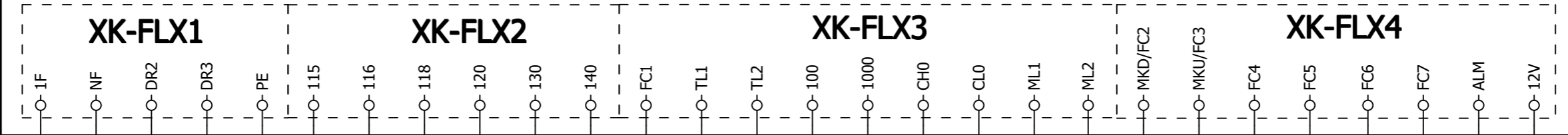
DS-3



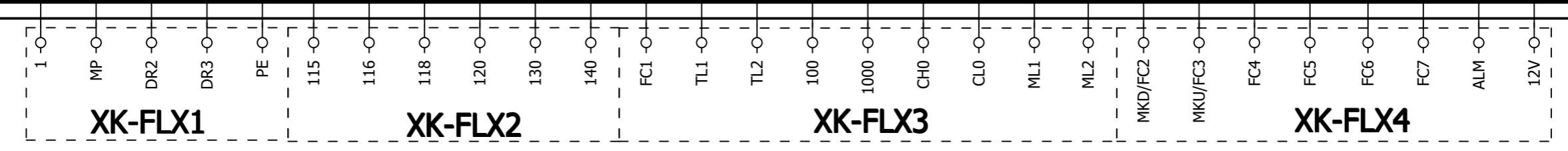
Bypass Contact of,
Automatic Car Door Contacts

REDBOX

RBM BOARD



FLEXIBLE CABLE (28x0,75mm)

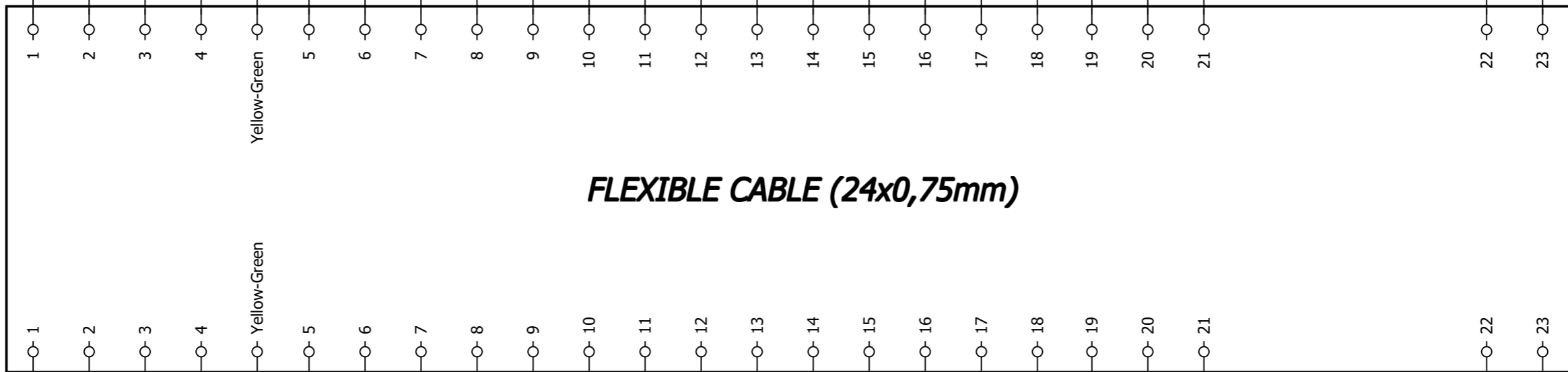
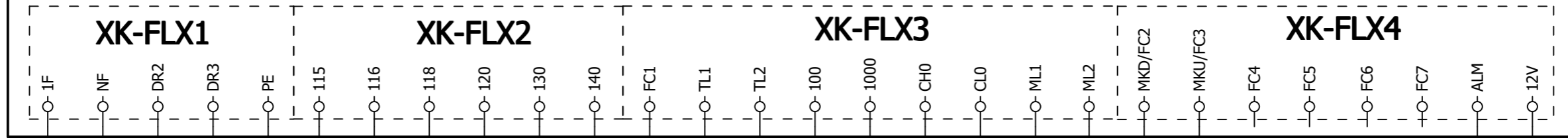


RBC BOARD

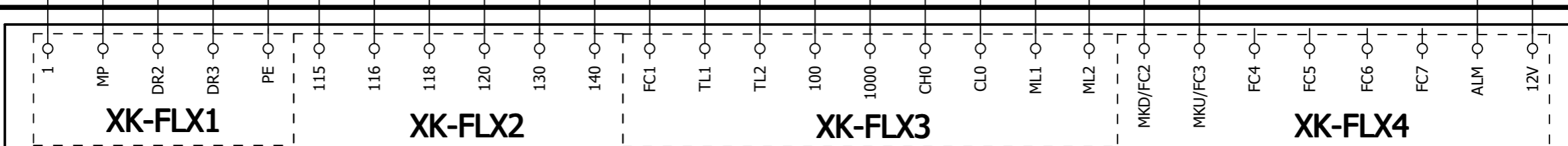
INSPECTION BOX

REDBOX

RBM BOARD

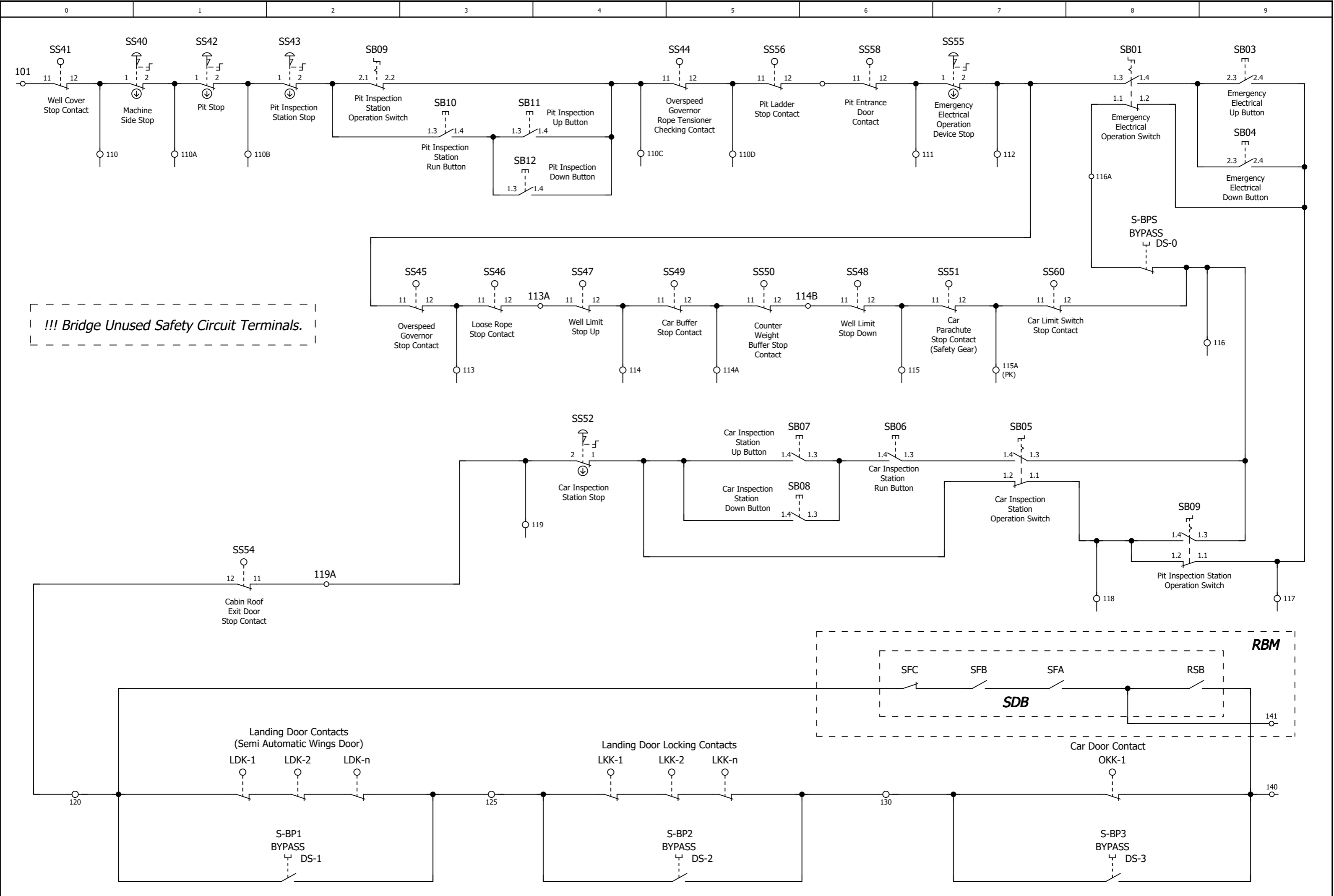


FLEXIBLE CABLE (24x0,75mm)

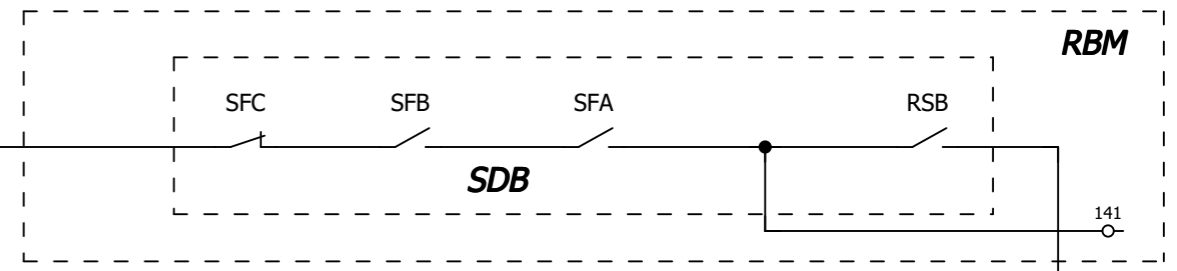



RBC BOARD

INSPECTION BOX



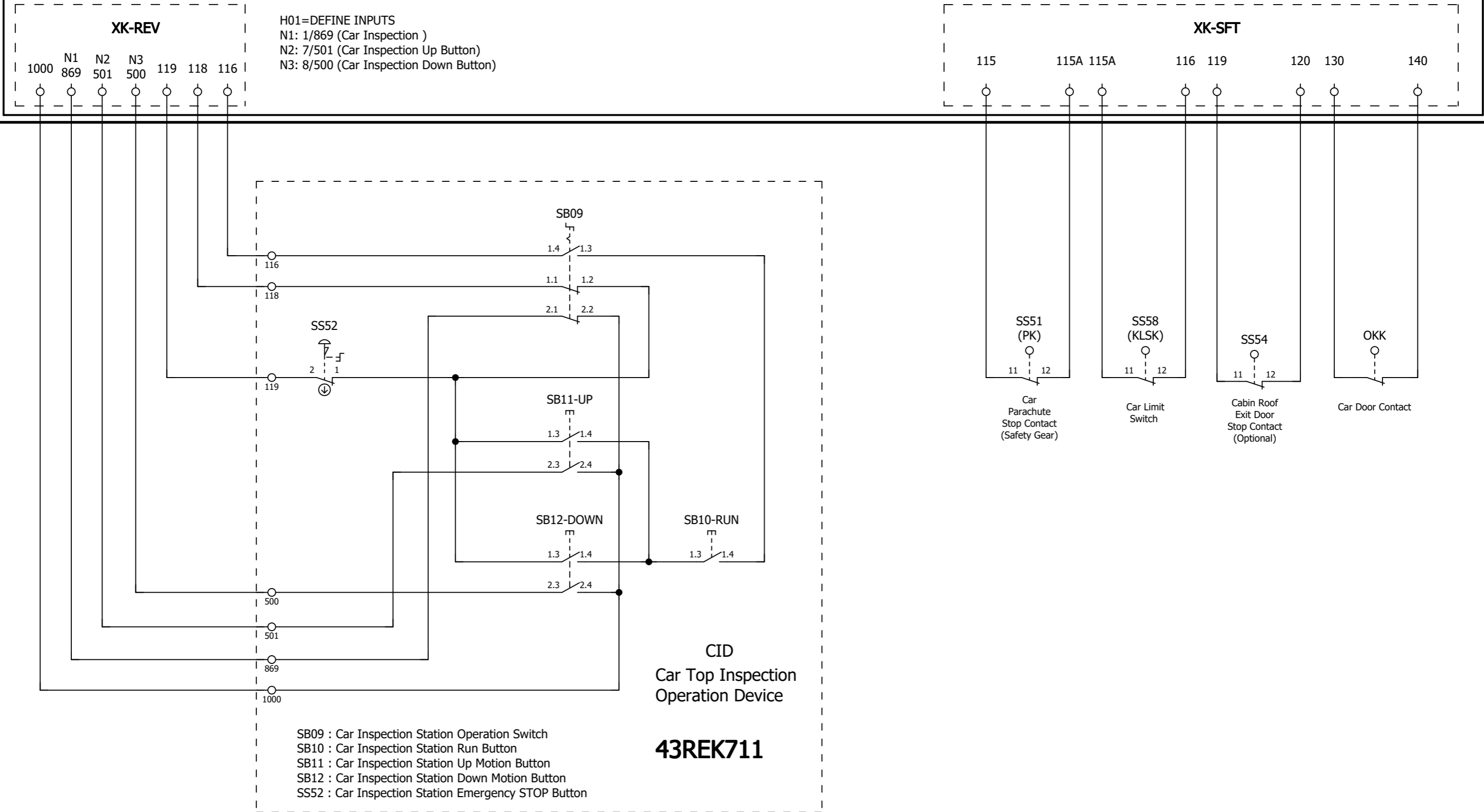
!!! Bridge Unused Safety Circuit Terminals.



First Drawing	Modification	Board Series		Customer		Serial Number		Confirm :	SAFETY LINE CONNECTIONS	 AYBEY ELEKTRONİK www.aybey.com	Page Number	9
Date	Date	Project No		Model		Reference			FULL AUTOMATIC DOOR		Number of Pages	20

INSPECTION BOX

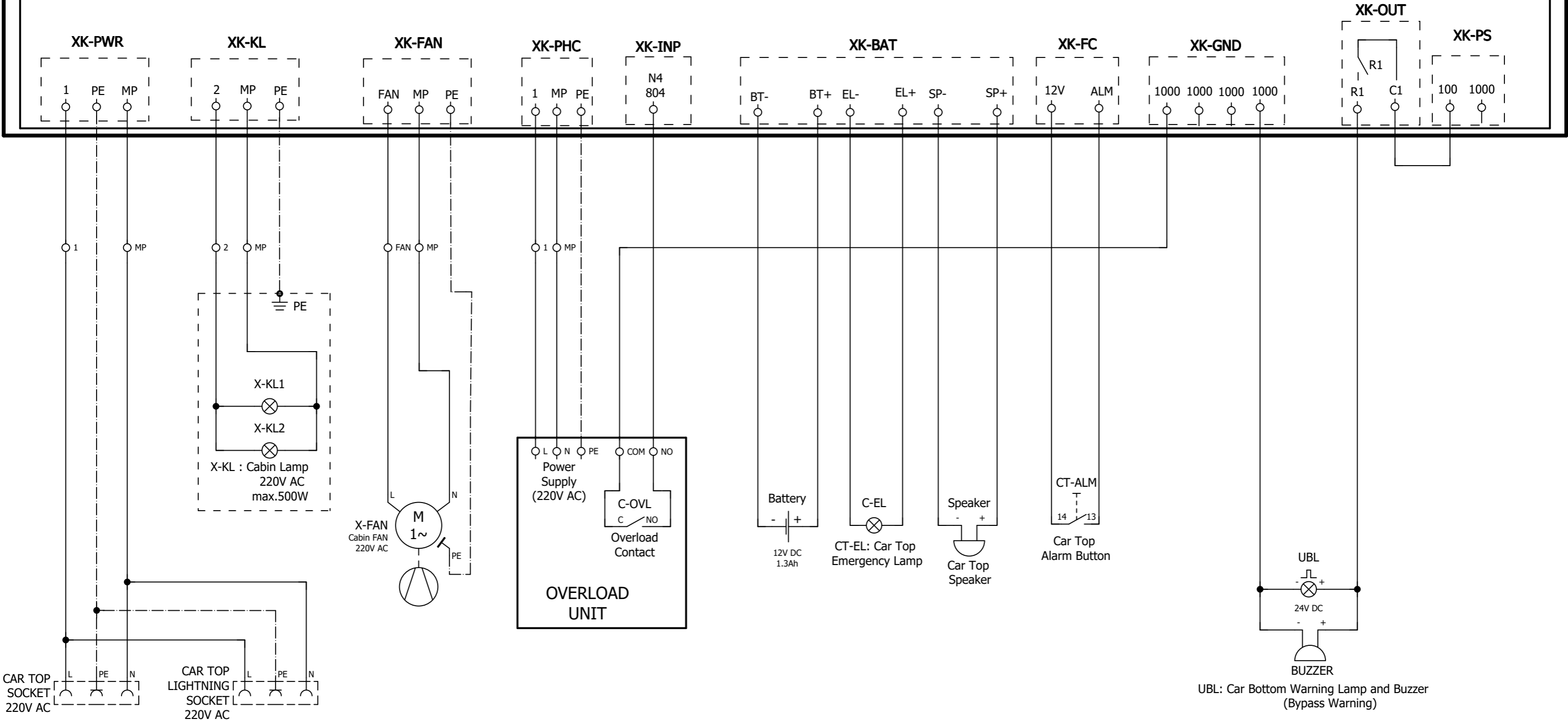
RBC BOARD



INSPECTION BOX

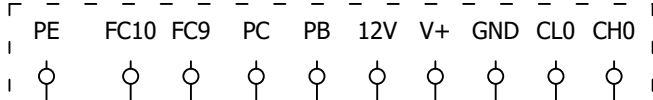
RBC BOARD

H02=DEFINE OUTPUTS
R1: 62 (Bypass Warning)



RBC BOARD

CON



Yellow Green 9 8 7 6 5 4 3 2 1

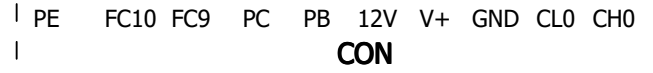
Car Top

Cabin

CON (10x0,50 CABLE)

- 1-CH0 (CanBus)
- 2-CL0 (CanBus)
- 3-1000 (0V-GND)
- 4-V+/100 (+24V DC)
- 5-12V (12V DC)
- 6-PB (INTERCOM)
- 7-PC (INTERCOM)
- 8-FC9 (FREE CABLE-1)
- 9-FC10 (FREE CABLE-2)
- YELLOW GREEN-PE (EARTH)

**CCPS
BOARD**

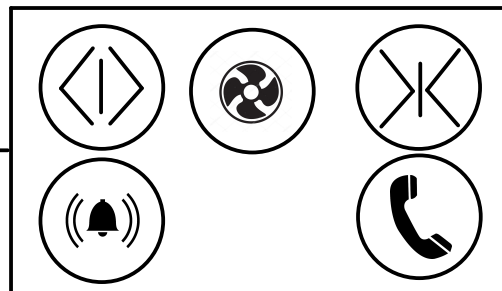
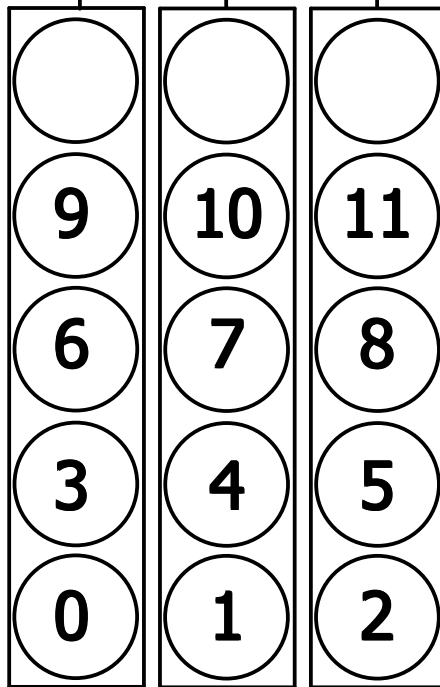
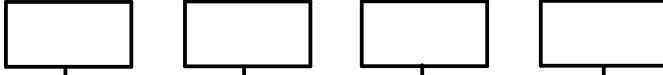


C-SGN

C-401

C-406

C-411



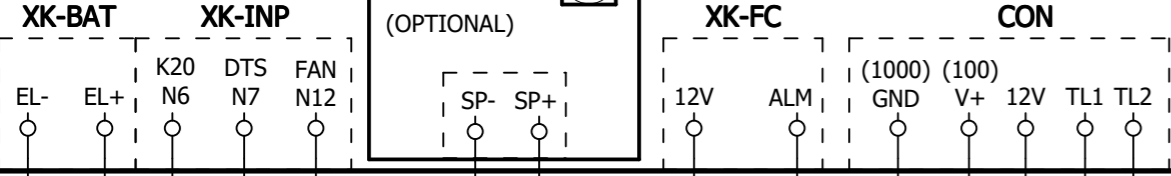
COP

INSPECTION BOX

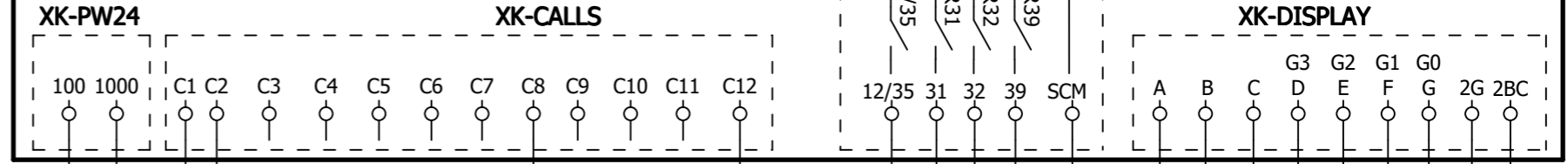
RBC BOARD

H01=DEFINE INPUTS
N6: 18/K20 (Door Open Button)
N7: 19/DTS (Door Close Button)
N12: xx/FAN (Cabin Fan Button)

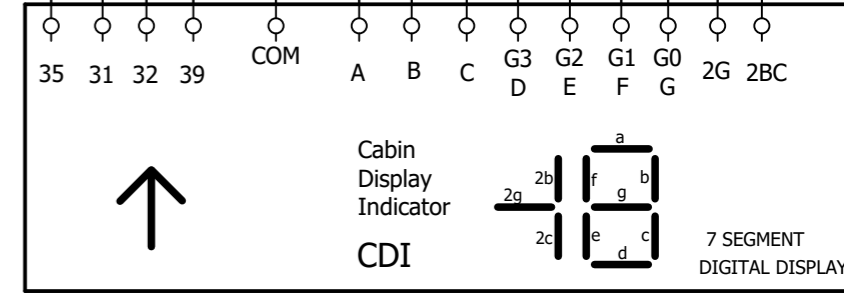
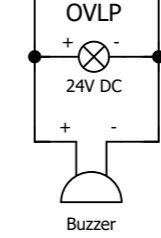
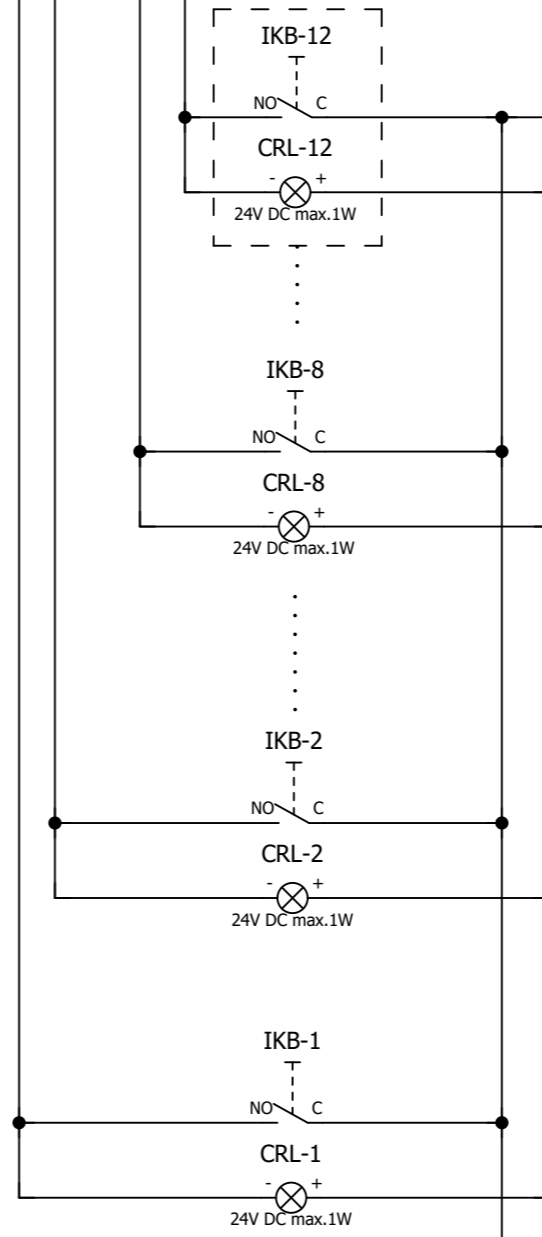
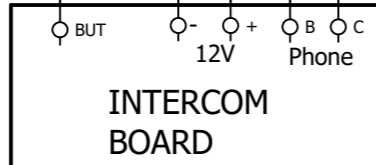
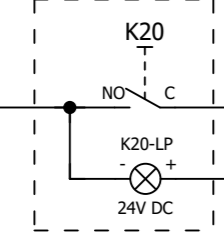
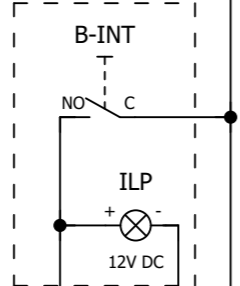
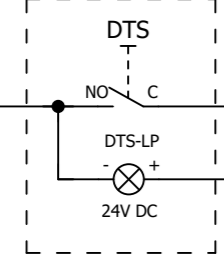
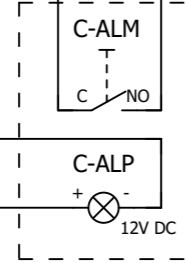
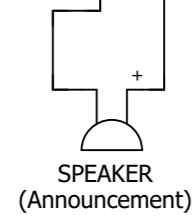
ANS BOARD
(OPTIONAL)
VOLUME



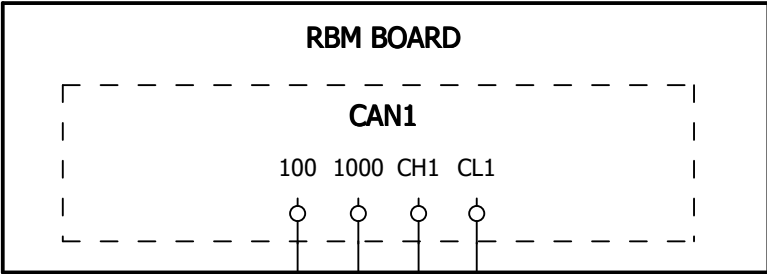
RBIO BOARD



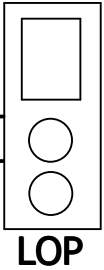
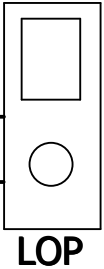
-- CABIN CALLS --



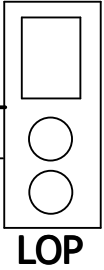
- C-EL: Cabin emergency lamp
- C-ALM: Cabin alarm button
- C-ALP: Lamp for alarm button
- K20: Door open button
- DTS: Door close button
- DTS-LP: Lamp for door close button
- B-FAN: Fan button
- 39: Out of service signal
- 32: Up arrow signal
- 31: Down arrow signal
- IKB: Cabin call button
- CRL: Cabin call register lamp
- OVL P: Overload lamp
- ILP: Lamp for intercom button
- B-INT: Intercom button



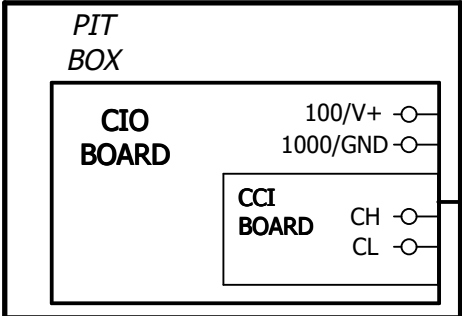
TOP FLOOR



INTERMEDIATE FLOORS

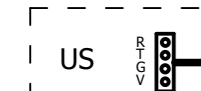


BOTTOM FLOOR



RBM

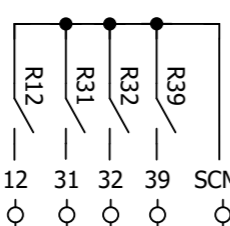
RBIO BOARD



4 Wire Cable

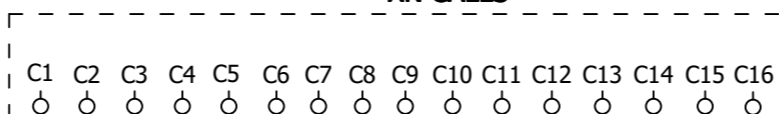


XK-SIGNALS

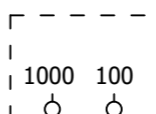


*SCM: Signal Supply Common Terminal

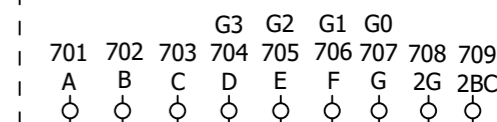
XK-CALLS



XK-PW24



XK-DISPLAY



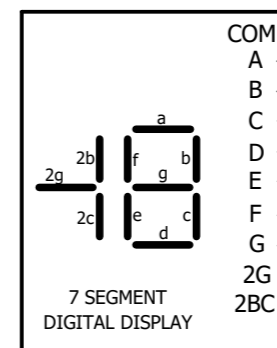
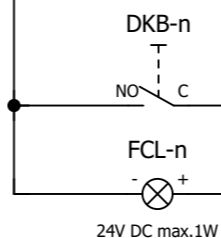
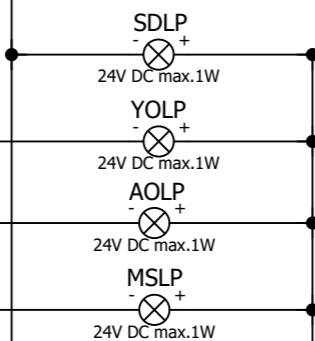
LANDING CALL REGISTERS



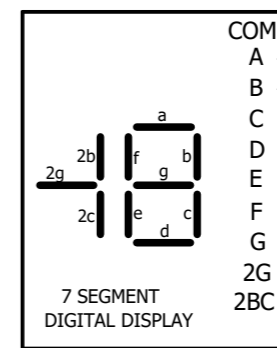
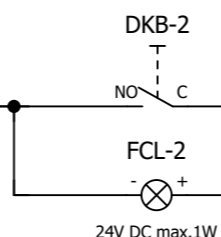
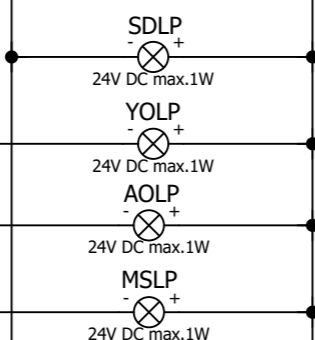
REDBOX

SDLP: Out of service lamp
 YOLP: Up arrow lamp
 AOLP: Down arrow lamp
 MSLP: Busy lamp
 DKB-xx: Landing call button
 FCL-xx: Landing call register lamp

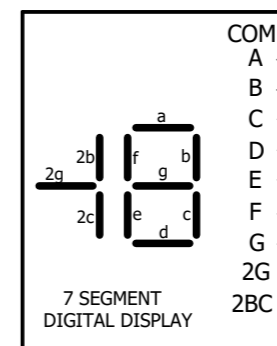
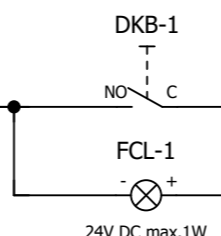
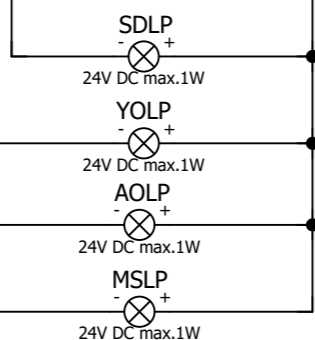
TOP FLOOR



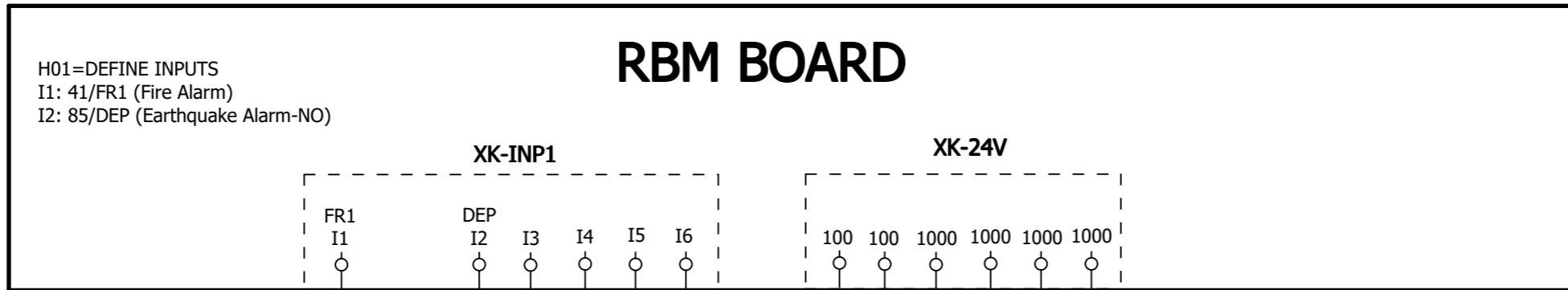
INTERMEDIATE FLOORS



BOTTOM FLOOR



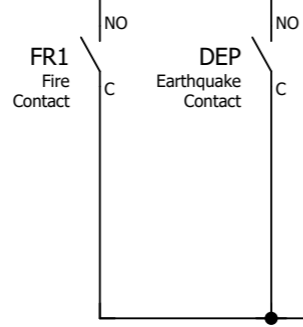
REDBOX



Machine Room

Shaft

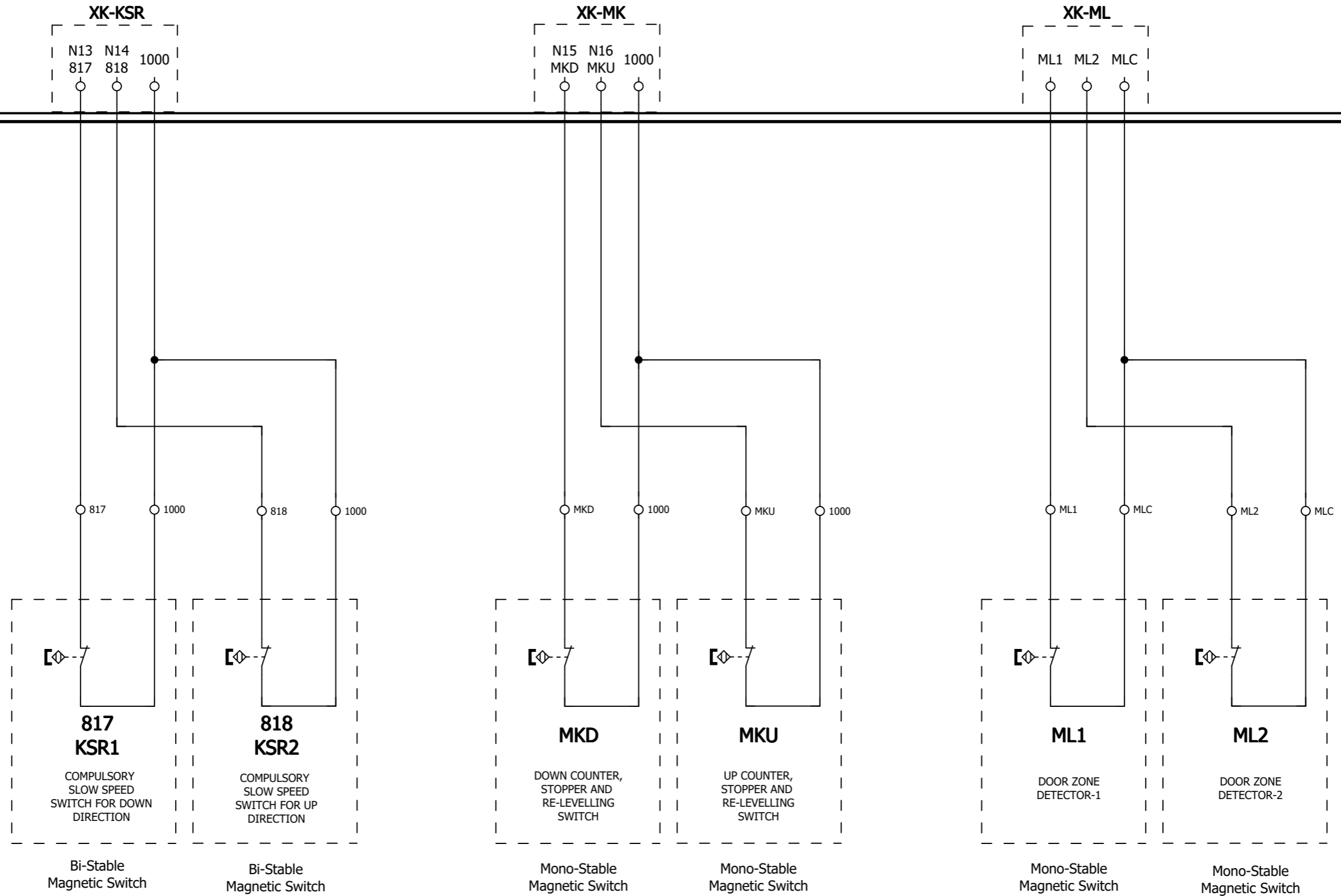
FR1: Fire Input
 DEP: Earthquake Input



INSPECTION BOX

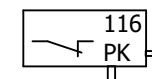
RBC BOARD

H01=DEFINE INPUTS
 N13: 4/817 (High Limit Switch at Bottom)
 N14: 5/818 (High Limit Switch at Top)
 N15: 14/MKD (Down Direction Counter and Stopper Switch)
 N16: 15/MKU (Up Direction Counter and Stopper Switch)

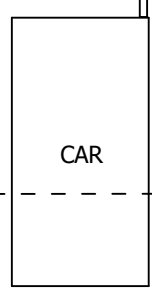


Roller Switch
Cam

KLSK: Car limit
Stop Switch



Top Floor

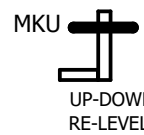
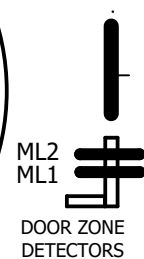
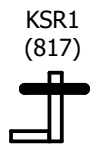
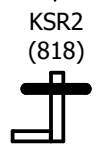


2.Floor

1. Floor

Roller Switch
Cam

Bottom Floor



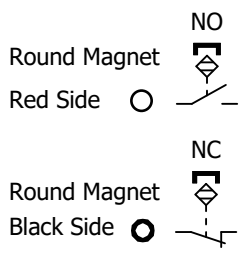
MONO STABLE MAGNETIC SWITCHES

BI STABLE MAGNETIC SWITCHES

**BI STABLE
MAGNET SWITCH**

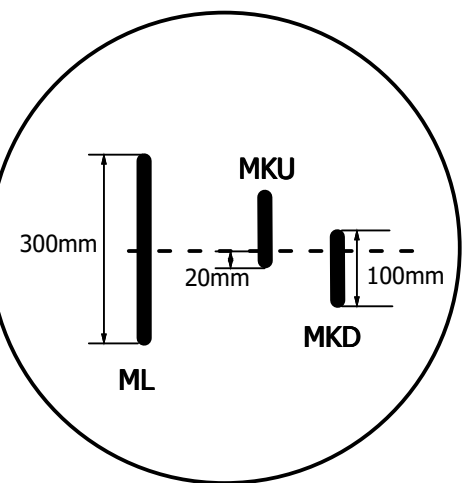
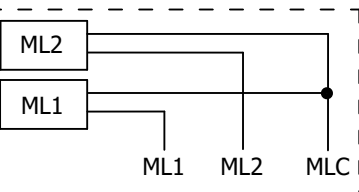
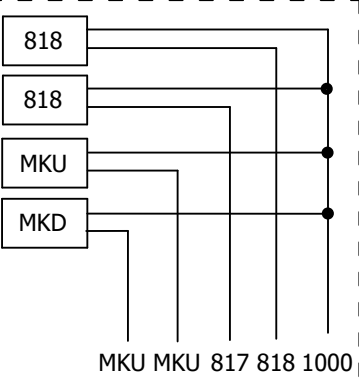
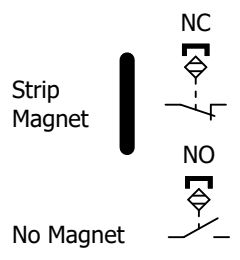
- Red Side of the Magnet
- Black Side of the Magnet

CONTACT STATUS



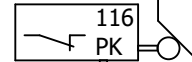
**MONO STABLE
MAGNET SWITCH**

CONTACT STATUS

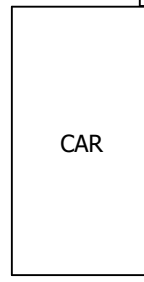


Roller Switch
Cam

KLSK: Car limit
Stop Switch



Top Floor



2.Floor

SAFE DOOR
ZONE

1. Floor

Roller Switch
Cam

Bottom Floor

KSR2
(818)

KSR1
(817)



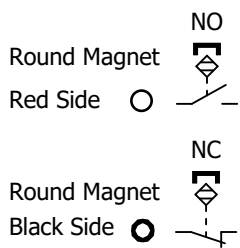
MONO STABLE
MAGNETIC SWITCHES

BI STABLE
MAGNETIC SWITCHES

**BI STABLE
MAGNET SWITCH**

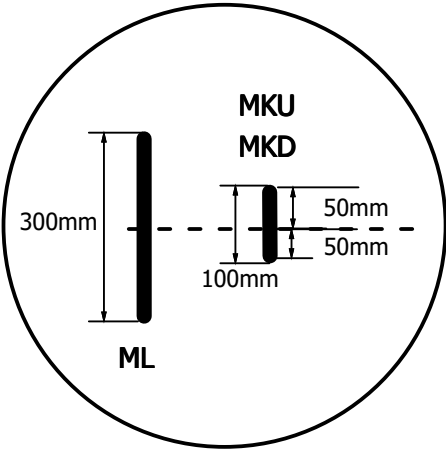
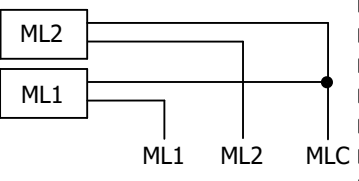
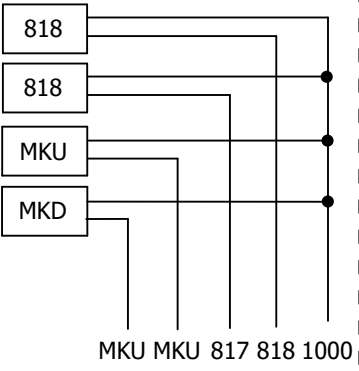
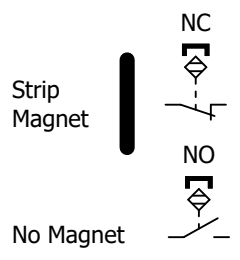
- Red Side of the Magnet
- Black Side of the Magnet

CONTACT STATUS



**MONO STABLE
MAGNET SWITCH**

CONTACT STATUS

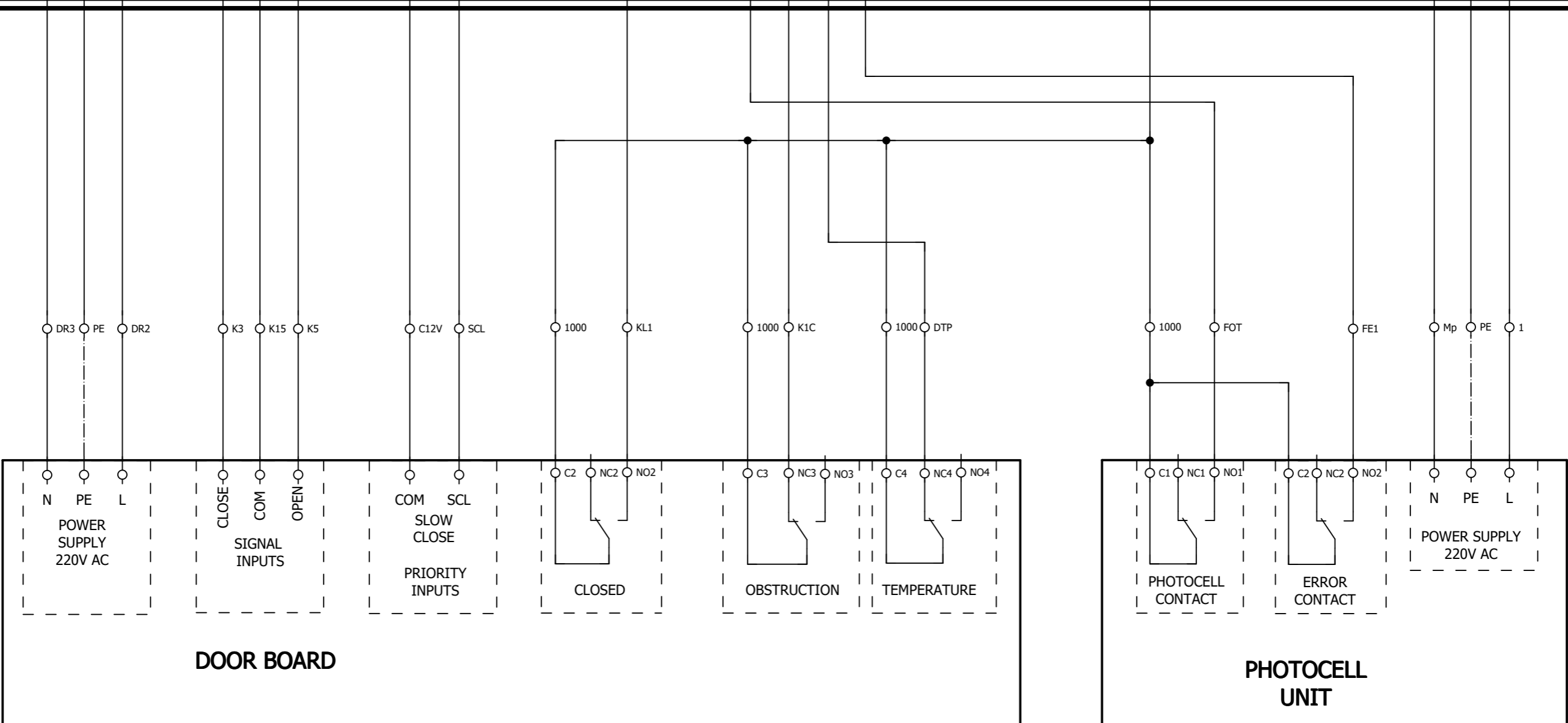
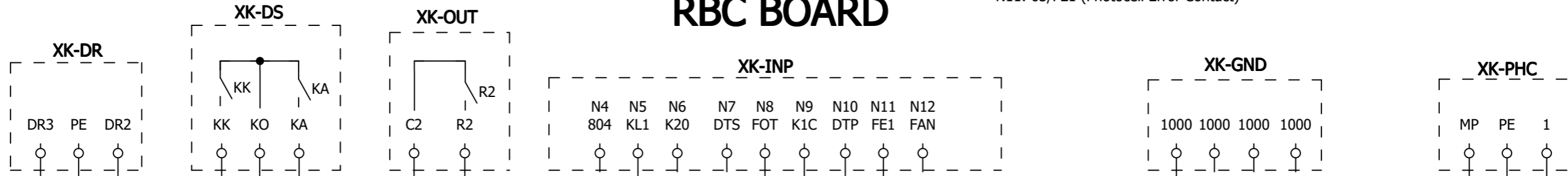


INSPECTION BOX

H02=DEFINE OUTPUTS
R2: 55 (Slow Close)

H01=DEFINE INPUTS
N5: 22/KL1 (Door Close Limit)
N8: 20/FOT (Photocell)
N9: 23/K1C (Door Obstruction Contact)
N10: 28/DTP (Door Motor Temperature Contact)
N11: 63/FE1 (Photocell Error Contact)

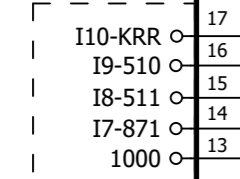
RBC BOARD



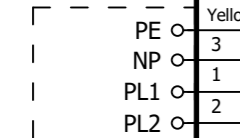
REDBOX

H01=DEFINE INPUTS
 I7: 3/871 (Pit INSPUTS)
 I8: 12/511 (Pit Inspection Up Button)
 I9: 11/510 (Pit Inspection Down Buuton)
 I10: 13/KRR (Pit Inspection Reset Switch)

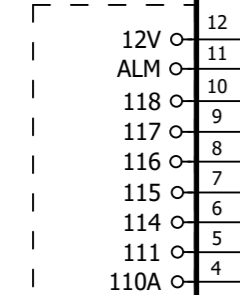
XK-INP2



XK-PIT1



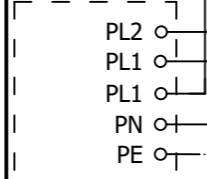
XK-PIT2



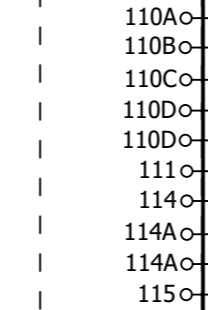
RBM BOARD

18 Wires Cable

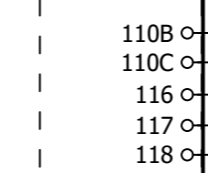
XP-PWR



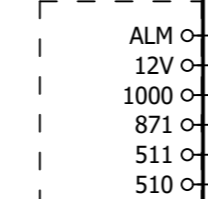
XP-SF1



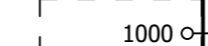
XP-REV1



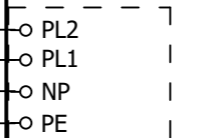
XP-REV2



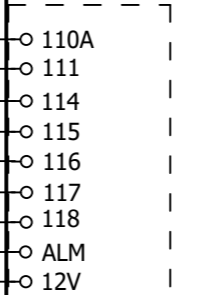
XP-KRR



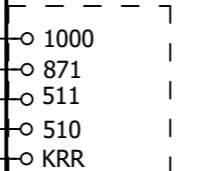
XK-PIT1



XK-PIT2

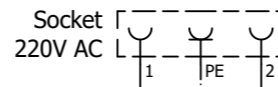


XK-INP2

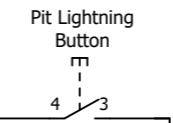


RBPB PIT TERMINAL BOARD PARALLEL

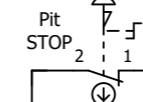
KDM-BOX PIT BOX



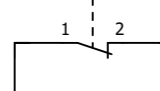
KD-KAB



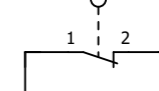
KD-STP



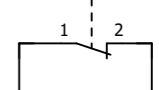
HGK



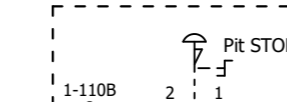
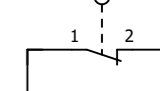
KDMK



BF1



BF2



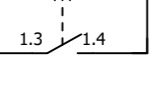
SB12



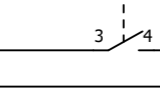
SB11



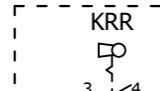
SB10



Alarm Button



KD-KRR



KRR : Pit inspection reset switch

- PID : Pit Inspection Control Station
- KRR : Pit inspection reset switch
- SB09 : Pit Inspection Station Operation Switch
- SB10 : Pit Inspection Station Run Button
- SB11 : Pit Inspection Station Up Button
- SB12 : Pit Inspection Station Down Button
- HGK :Overspeed Governor Rope Tensioner Checking Contact
- KDMK : Pit Ladder Safety Contact
- BF1 : Pit Car Buffer Contact
- BF2 : Pit Counterweight Buffer Contact

PID Pit Inspection Operation Device

First Drawing

Modification

Board Series

Customer

Serial Number

Confirm :

PIT BOARD PARALLEL CONNECTIONS

Date

Date

17.07.2020

Project No

Model

Reference

Draw

Draw

Form No

Model

Reference

Confirm :

PIT BOARD PARALLEL CONNECTIONS